

# Monolithic Crystal Filters (MCF)

Highs tability  
Ceramic Package  
Small&Thin

Pb-free : RoHs compliance



## MC-7050C4-47M35B, MC-7050C4-47M50,

### ■ Typical applications

- Mobile Telecommuication, Base Station, GPS, etc.

### ■ Features

- 20 to 150 MHz.
- 4 Pole.
- Package : Metal lid + Ceramic package.
- 7.0×5.0×1.5 mm

### ■ Specifications

Model	MC-7050C4-47M35	MC-7050C4-47M50
Nominal Frequency	47.250 MHz	47.250 MHz
Pole	4 Pole	4 Pole
Pass Band	3 dB : ±3.5KHz min.	3 dB : ±5.0KHz min.
Attenuation Band	40dB : ±15 KHz max.	40dB : ±18 KHz max.
Ripple	1.5dB max.	1.0dB max.
Loss	5.0dB max.	3.5dB max.
Attenuation Band	80 dB min.:Fo-900KHz	80 dB min.:Fo-910KHz
Spurious	-	-
Termina Impedance	250Ω // 5.0pF, C2:23pF	430Ω // 6.5pF, C2:14.5pF
Operating Temperture	-20 to +70° C	

### ■ Environmental Characteristics

Description	Specification
Fall Shock	Test : 3 time free drop onto concrete board from 150cm high Result: ±5.0 ppm max.
Vibration Shock	Test : Freq. 5-500Hz, Amplitude 1.5mm, Test time 4cycles/XYZ axis Result: ±5.0 ppm max.
Solderability	Test : Immersed into solder bath at 235±° C for 3 sec. Result: More than 95%
Humidity	Test : 90 to 95%RH at 60±3° C±500 hours Result: ±5.0 ppm max.
Reflow Heat	Test : 2 times of IR reflow soldering in accordance with reflow temerature profil as per the document No.:TR-( Result: ±5.0 ppm max.

### ■ Outline Drawing & Suggested Pa

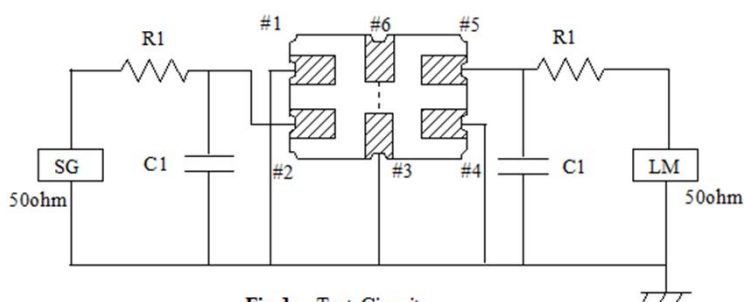
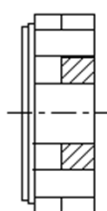
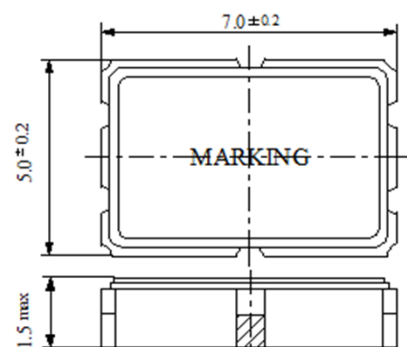
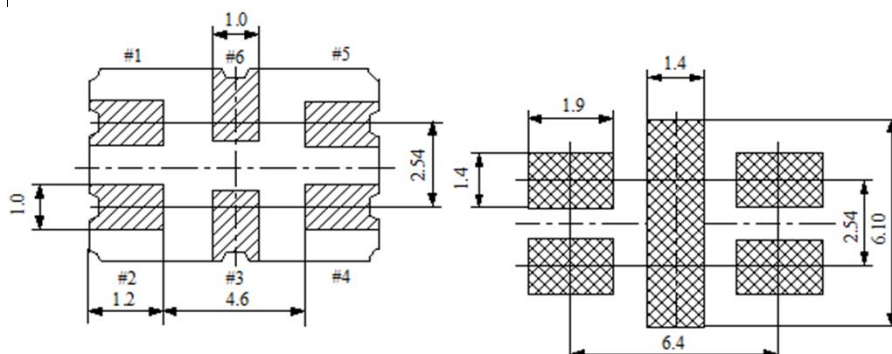


Fig 1. Test Circuit



#### CONNECTION

#1 : GND
#2 : IN
#3 : Coupling CAP
#4 : GND
#5 : OUT
#6 : Coupling CAP