

Technical Support of SPXO (Simple Packaged Crystal Oscillator)

▪ About the Tri-state function

With regard to the Tri-state function (terminal #1) stated on the data sheets, the terminal "CE" (Chip Enable) means oscillation/output stop function, and "OE" (Output Enable) means only buffer cut function, as explained below.

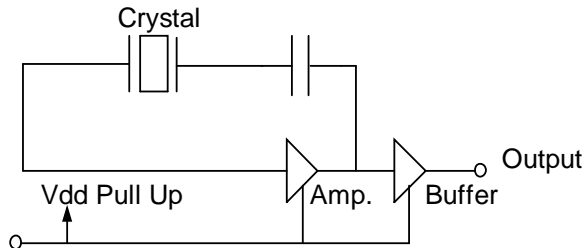


Fig.3-1 Tri-state function(CE

Chip Enable Tri-state function

CE	Output	Status
H or NC	Enable	Oscillation
L	Disable, Hi-z	Standby

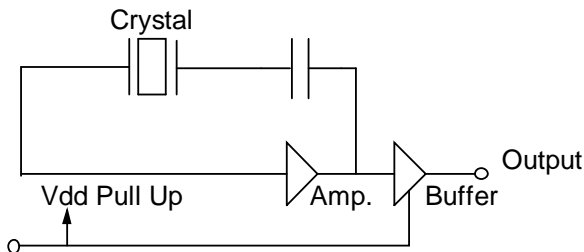
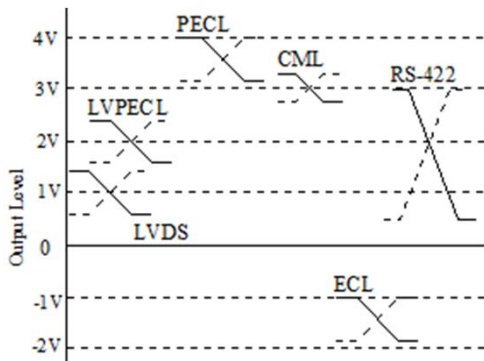


Fig.3-2 Tri-state function(OE

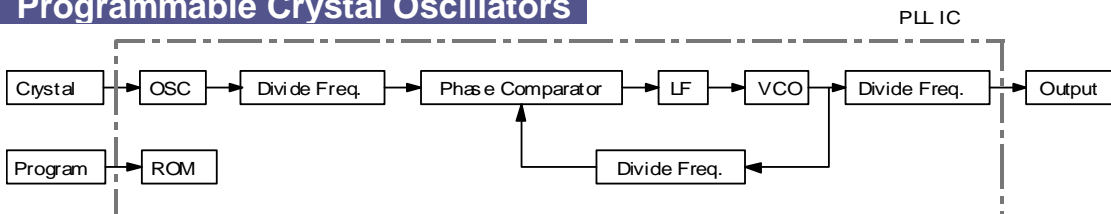
Output Enable Tri-state function

OE	Output	Status
H or NC	Enable	Oscillation
L	Disable, Hi-z	Oscillation

▪ Differential Logic Item



▪ Programmable Crystal Oscillators



A recordable item in ROM

Power Supply Voltage	+3.0±0.3V, +3.3±0.3V +5.0±0.3V	Frequency deviation	±30ppm, ±50ppm, ±100ppm
Output load capacity	15pF(1MHz to 200MHz) 50pF(1MHz to 80MHz)	Tri-state Function	
Target frequency	1 to 200 MHz		